

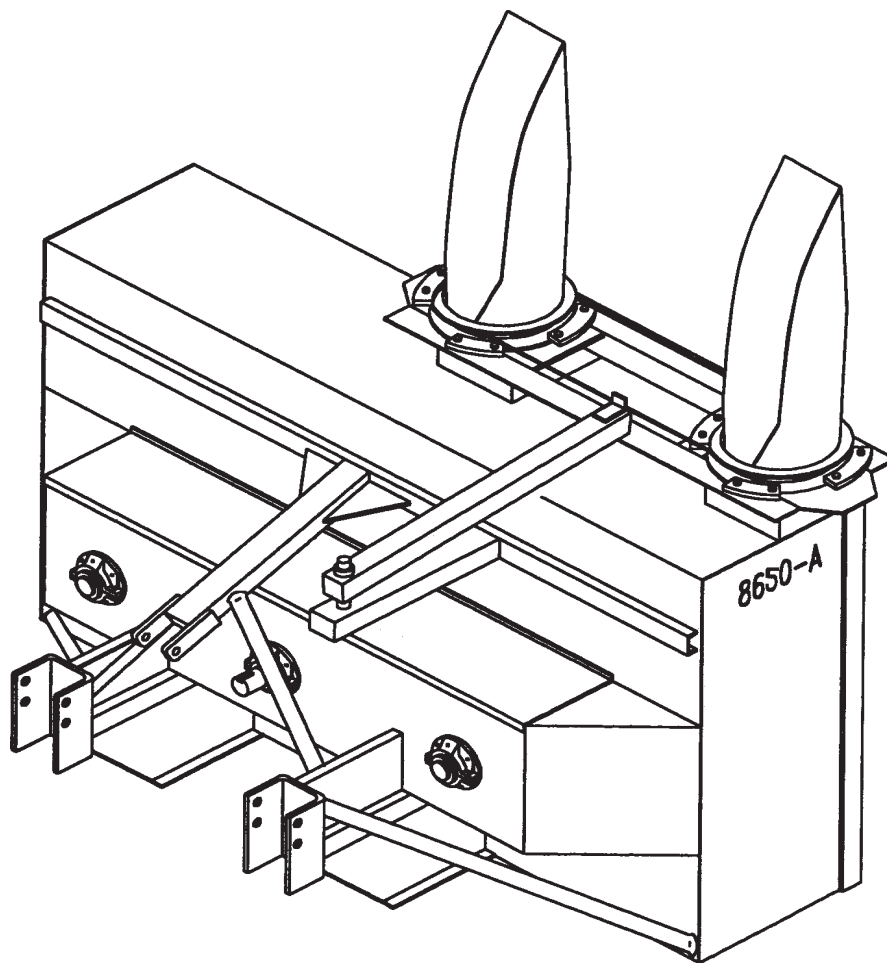
SNOWBLAST

8650A

Snow Blower

05-08

PART'S MANUAL



TEAMCO INC.

27050 S Katie Rd.

Suite 400

Tea, SD 57064

605-498-0610

www.teamco-inc.com

Email: chrism@teamco-inc.com

TO THE OWNER/OPERATOR/DEALER

All implements with moving parts are potentially hazardous. There is no substitute for a cautious, safe-minded operator who recognizes the potential hazards and follows reasonable safety practices. The manufacturer has designed this implement to be used with all its safety equipment properly attached to minimize the chance of accidents.

BEFORE YOU START!! Read the safety messages on the implement and shown in your manual.
Observe the rules of safety and common sense!

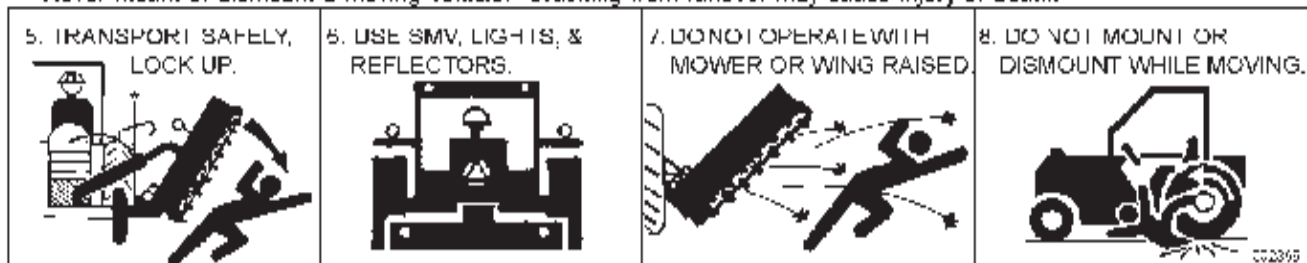


DANGER

FAILING TO FOLLOW SAFETY MESSAGES AND OPERATING INSTRUCTIONS CAN CAUSE SERIOUS BODILY INJURY OR EVEN DEATH TO OPERATOR AND OTHERS IN THE AREA.



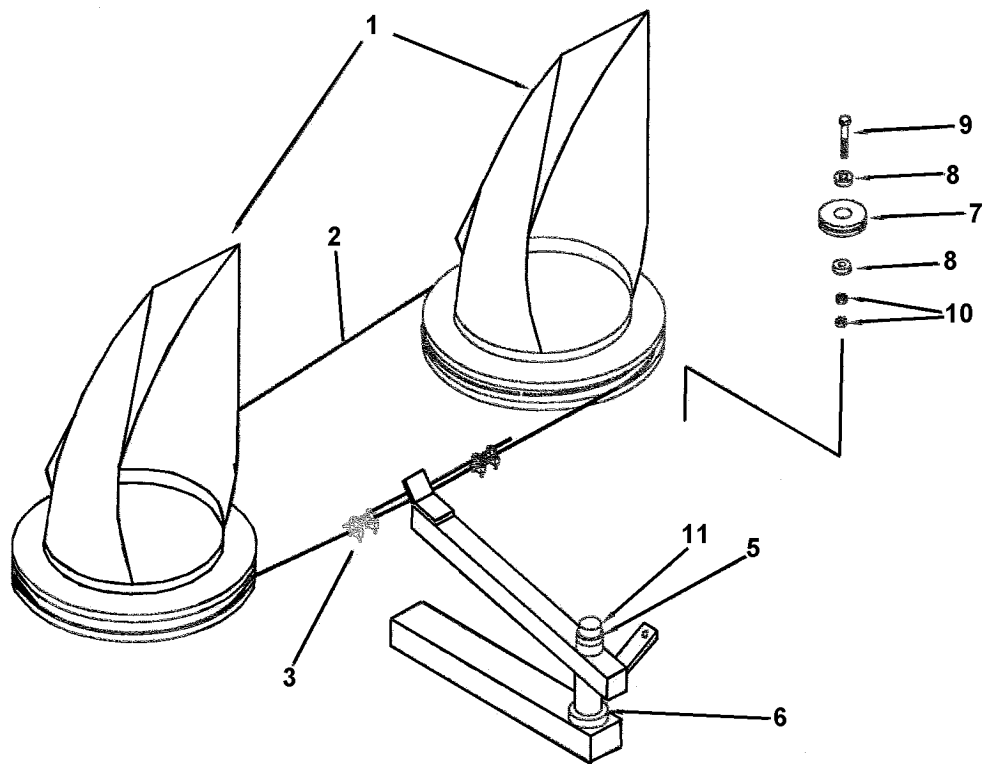
- Study and understand Operator's Manuals, Safety Signs, and Instructional Decals for tractor & flail mower to prevent misuse, abuse, & accidents. Practice before operating mower in a confined area or near passersby.
 - Learn how to stop engine suddenly in an emergency. Be alert for passersby and especially children.
- Allow no children on or near implement or tractor. Allow no riders on tractor or implement. Falling off can cause serious injury or death from being runover by tractor or mower or contact with Flail Mower Blades.
- Operate only with tractor having Roll-Over Protective Structure (ROPS) and with seatbelt fastened securely and snugly to prevent injury and possible death from falling off or tractor overturn. Personal Protective Equipment such as Hard Hat, Safety Glasses, Safety Shoes, and Ear Plugs are recommended.
- Block up or support raised machine and all lifted components securely before putting hands or feet under or working underneath any lifted component to prevent crushing injury or death from sudden dropping or inadvertent operation of controls. Make certain that area is clear before lowering or folding.
- Before transporting, put Lift Lever in detent or full-lift position. Install Transport Safety Devices securely on folding implements. Slow down when turning and on hillsides.
 - Install Restrictor in folding circuit to slow down lowering and unfolding if action is faster than is desirable.
- Make certain that SMV sign, Warning Lights, and Reflectors are clearly visible. Follow local traffic codes.
- Never operate with Flail Mower or Folding Section raised if passersby, bystanders or traffic are in the area to reduce possibility of injury or death from objects thrown by Blades under Shields or implement structure.
- Before dismounting, secure flail mower in transport position or lower to ground.
 - Put tractor in park or set brake, disengage PTO, stop engine, remove key, and wait until noise of rotation has ceased to prevent entanglement in rotating parts which may cause injury or death.
 - Never mount or dismount a moving vehicle. Crushing from runover may cause injury or death.



PART NAME INDEX

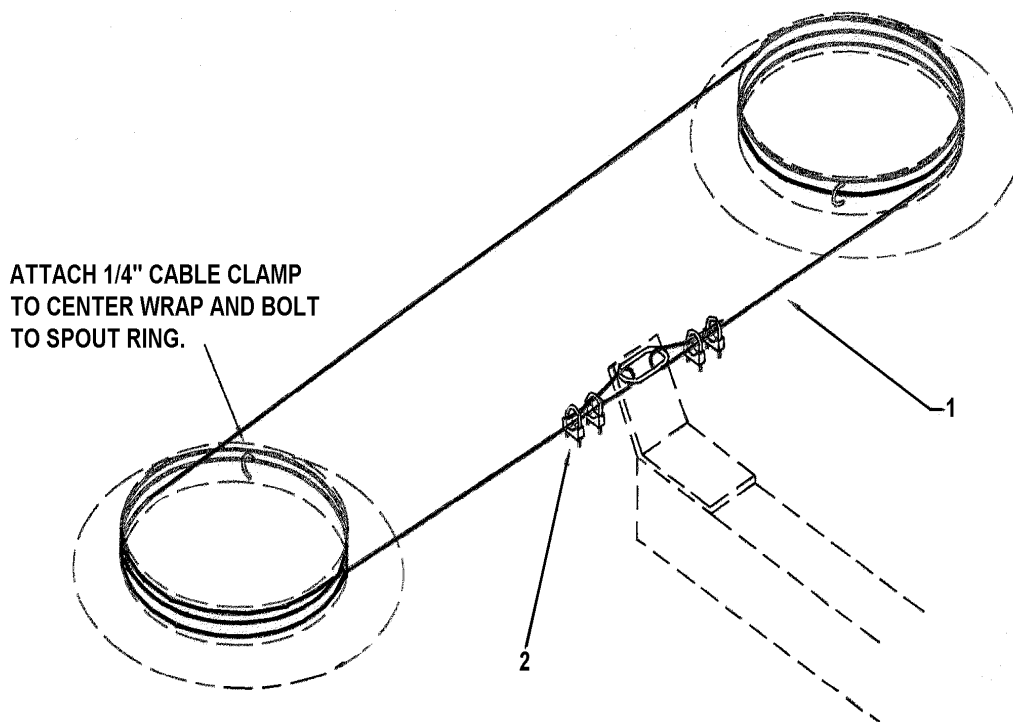
CABLE ASSEMBLY	5
CATEGORY 2 & 3 QUICK HITCH ASSEMBLY	13
CHAIN IDLER ASSEMBLY	10
DRIVELINE ASSEMBLY (OPTIONAL) - 00784015	14
DRIVELINE ASSEMBLY (OPTIONAL) - 00784016	15
FAN DRIVE ASSEMBLY	6
HYDRAULIC CYLINDER & HOSE KIT (OPTIONAL).....	16
INTERNAL DRIVE ASSEMBLY.....	9
OIL TANK PARTS	8
SPOUT ASSEMBLY	4
STANDARD CATEGORY 2 & 3 WITHOUT QUICK HITCH ASSEMBLY	12
3-POINT HITCH ASSEMBLY	11

SPOUT ASSEMBLY



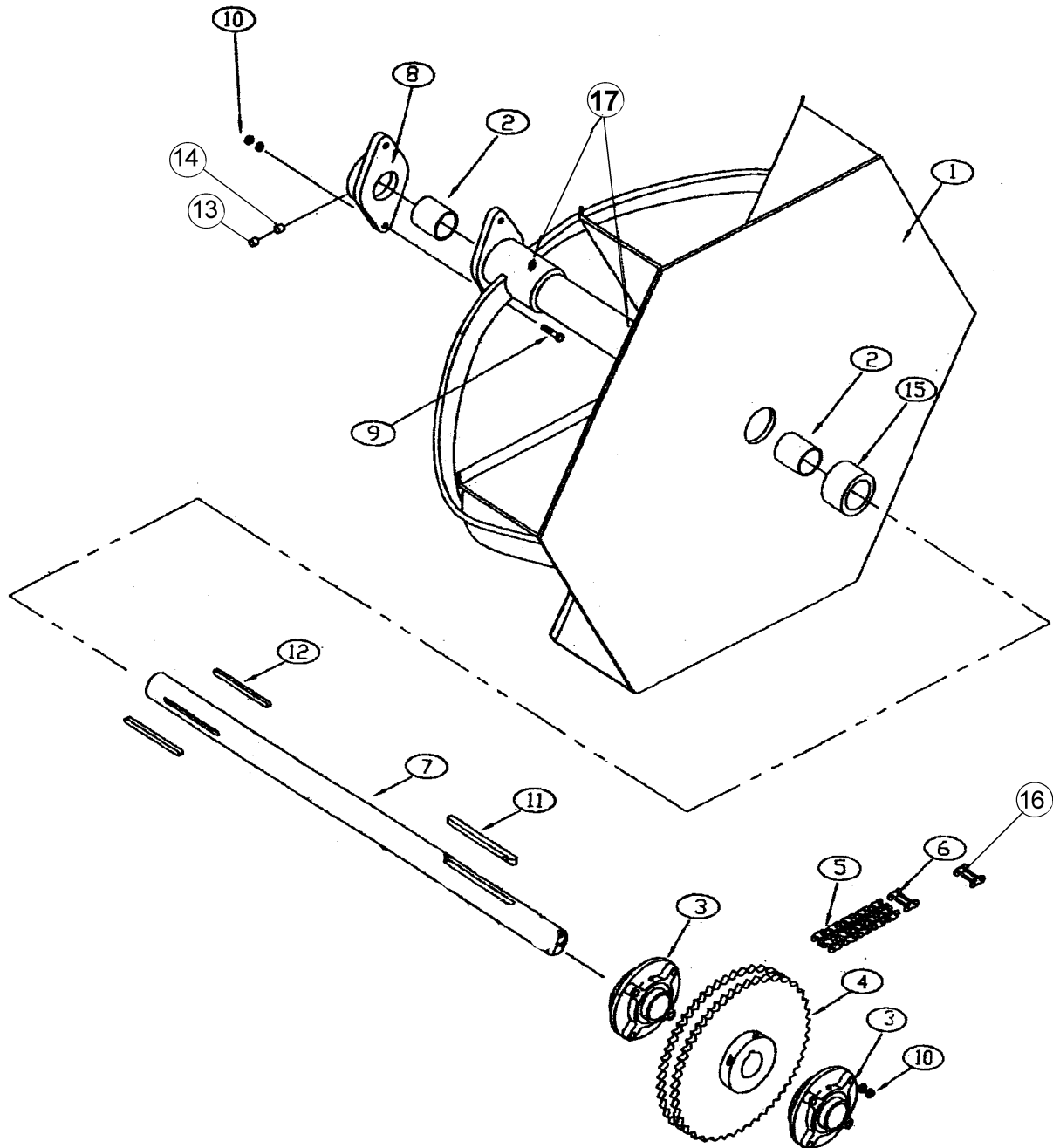
ITEM	PART NO.	QTY.	DESCRIPTION
1	PRT-784020	2	SPOUT
2	FAS-992000	35 1/2	CABLE, 1/4 X35 - 1/2 FT
3	FAS-60042	6	WIRE ROPE CLAMP 1/4
5	BRG-783408	1	UPPER BUSHING
6	BRG-783590	1	LOWER BUSHING
7	PRT-783104	16	SPOUT HOLD DOWN W/ BEARINGS
8	BRG-783874	32	HOLD DOWN BEARING
9	FAS-2845600	16	BOLT, 5/8 NC X 3 PL5
10	FAS-33007C	32	HEX NUT 5/8-11
11	FAS-3919A3C	2	AL HD CP PT STSCRW 5/16 -18 X 3/8

CABLE ASSEMBLY



ITEM	PART NO.	QTY.	DESCRIPTION
1	FAS-992000	35 1/2	CABLE, 1/4 X 35 -1/2FT
2	FAS-60042	6	WIRE ROPE CLAMP 1/4

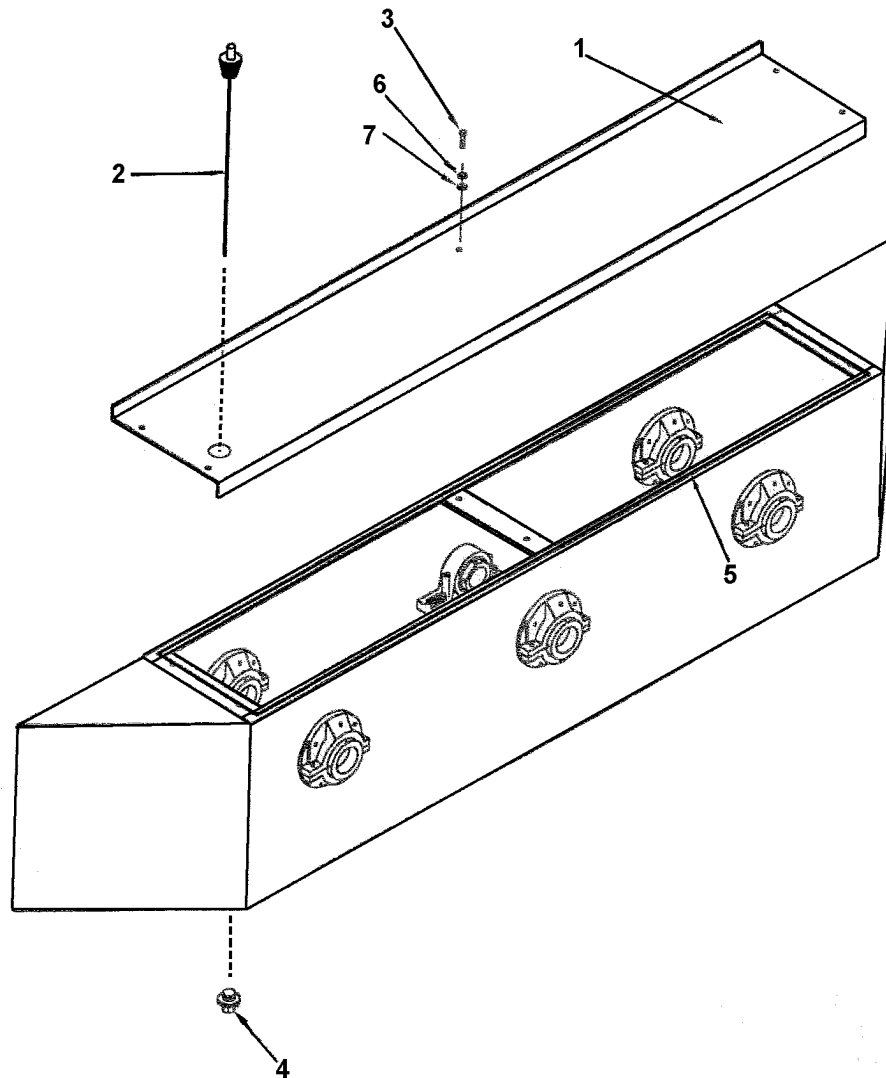
FAN DRIVE ASSEMBLY



FAN DRIVE ASSEMBLY

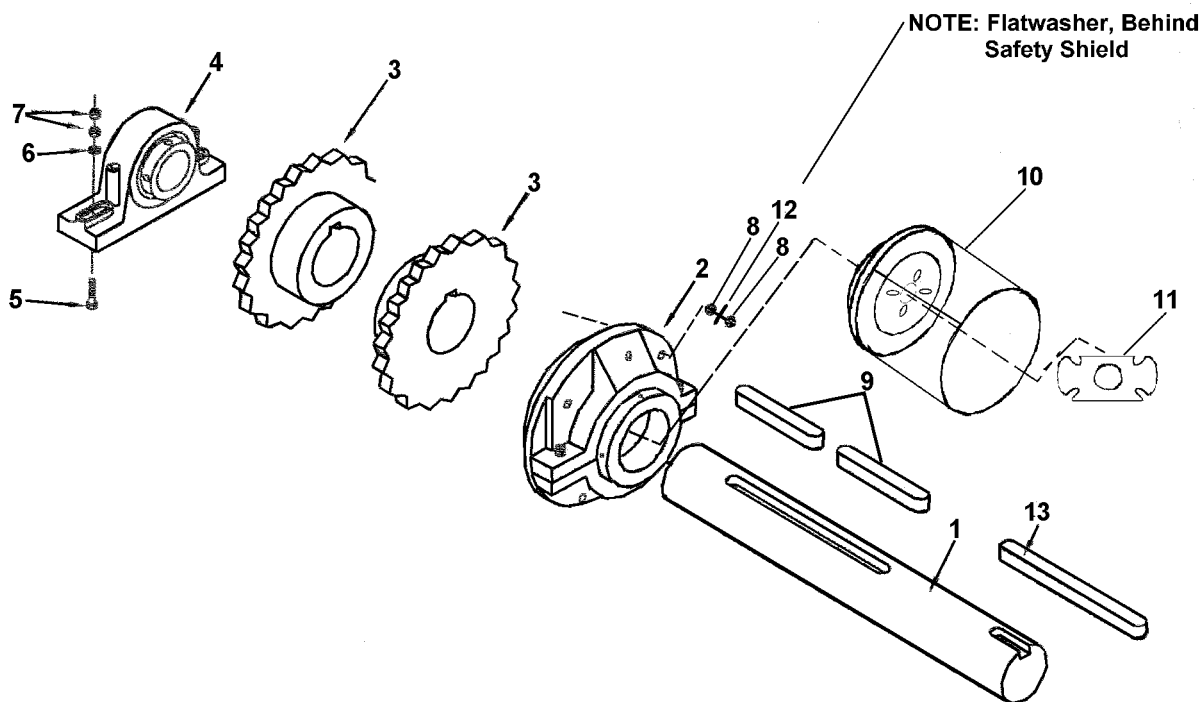
ITEM	PART NO.	QTY.	DESCRIPTION
1	PRT-784078	2	FAN -CW
2	BRG-784248	4	BUSHING, BRASS
3	BRG-783604	5	BEARING 2- 7/16"
4	SPK-783727	2	SPROCKET 54 TOOTH
5	CHN-783738	2	ROLLER CHAIN 80 - 2 X 120 P
6	CHN-783740	2	CONNECTOR LINK 80-2
7	PRT-783416	2	FAN SHAFT
8	PRT-784037	2	FRONT SHEAR PLATE
9	PRT-783436	4	SHEAR BOLT
10	FAS-001200	4	NUT 1/2 NC
11	PRT-40663.5	2	5/8" X 5/8" X 3-1/2" KEY
12	PRT-40652.25	4	1/2" X 1/2" X 2-1/4" KEY
13	FAS-3923A5C	2	5/8" X 1" SET SCREW
14	FAS-3923A1C	2	5/8" X 1/2" SET SCREW
15	BRG-784256	2	FAN SPACER
16	CHN-783742	2	OFFSET LINK, 80-2
17	HYD-003500	4	GREASE FITTING 1/8 STRAIGHT

OIL TANK PARTS



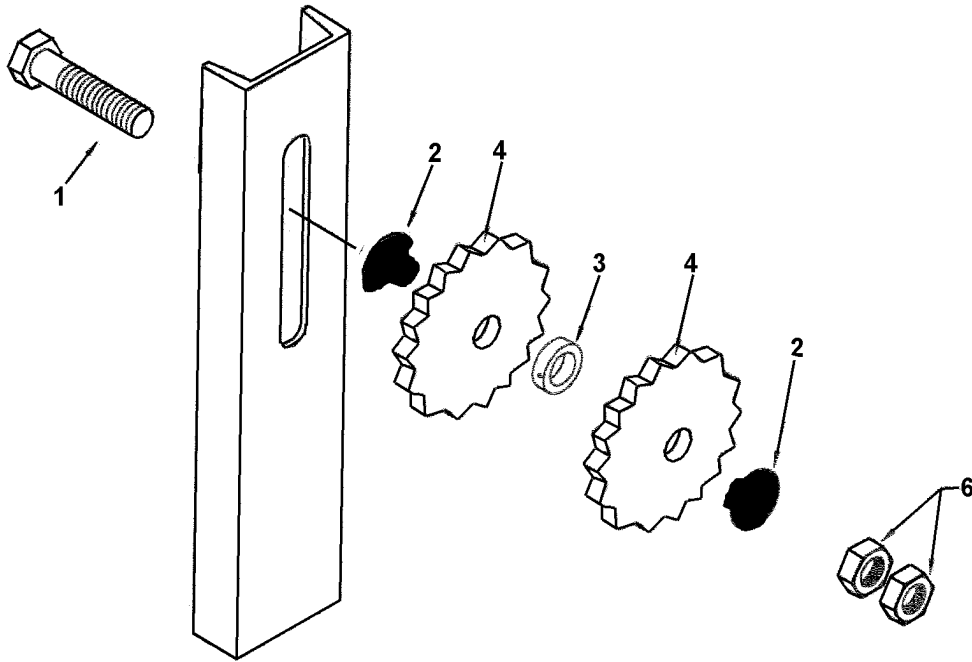
ITEM	PART NO.	QTY.	DESCRIPTION
1	PRT-784104	1	COVER, CHAIN CASE
2	PRT-783551	1	DIPSTICK
3	FAS-011400	6	HHCS 3/8 NC 1 PL5
4	HYD-784028	1	1" MAGNETIC DRAIN PLUG
5	MSC-783692	14'	SEALER, FOAM
6	FAS-3101646	6	LOCKWASHER, 3/8,
7	FAS-011100	6	FLATWASHER, 3/8

INTERNAL DRIVE ASSEMBLY



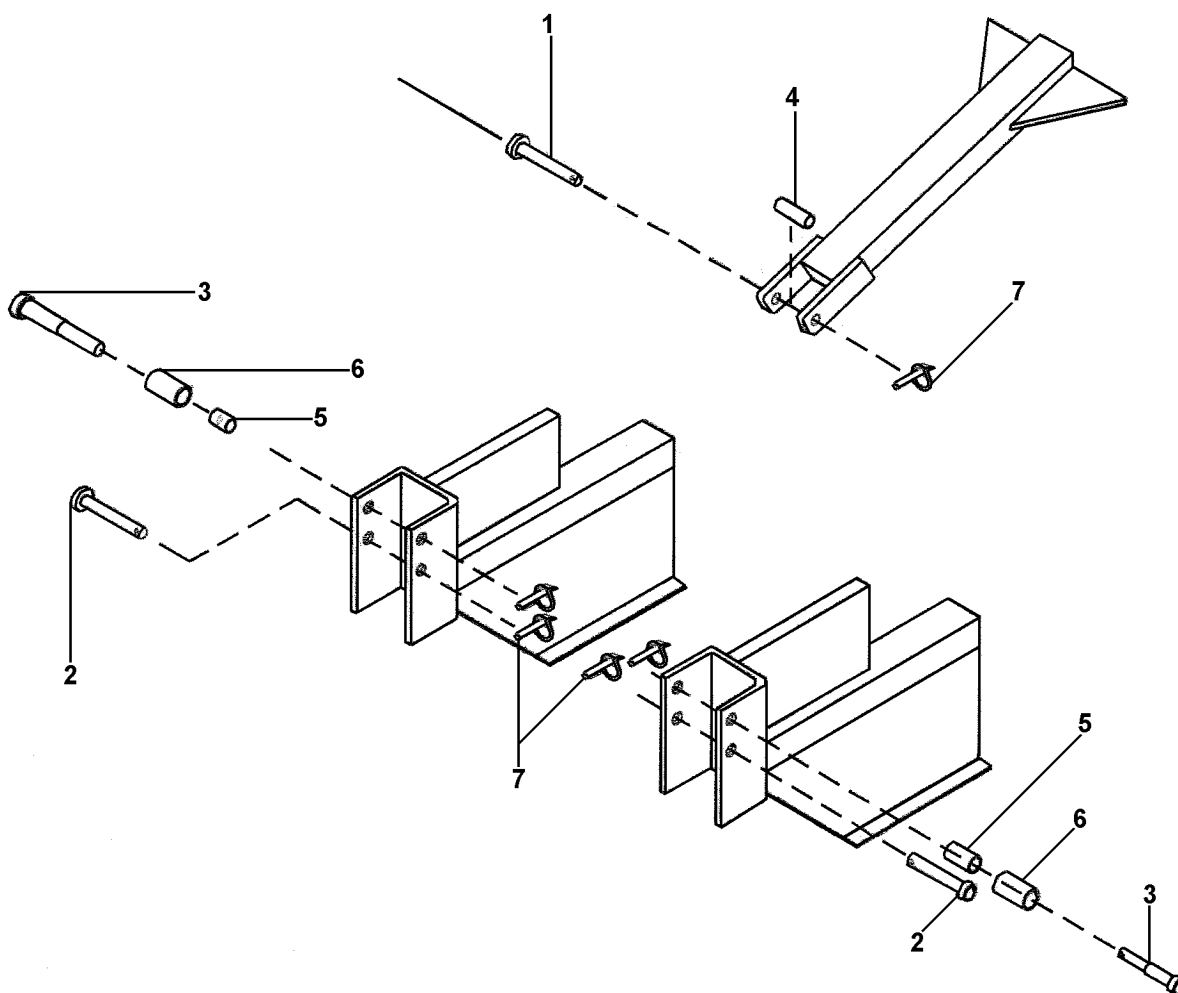
ITEM	PART NO.	QTY.	DESCRIPTION
1	PRT-783435	1	DRIVE SHAFT
2	BRG-783604	5	FLANGE BEARING 2-7/16"
3	SPK-783726	2	SPROCKET X 19 TOOTH
4	BRG-783602	1	PILLOW BLOCK BEARING, 2-7/16"
5	FAS-750952	2	HEXB, 5/8NC X 2-1/2, ZP, GRD5
6	FAS-001400	2	FLATWASHER 5/8 PL STD
7	FAS-33007C	4	HEX NUT 5/8-11
8	FAS-001200	8	NUT, HEX 1/2 NC PL
9	PRT-40662.75	2	KEY, 5/8 X 5/8 X 2-3/4
10	PTO-784566	1	SHIELD, SAFETY DRIVE
11	PRT-784565	1	PLATE, REINFORCEMENT
12	FAS-002700	4	FLATWASHER 1/2 PL
13	PRT-758785	1	KEY, 1/2 X 1/2 X 2

CHAIN IDLER ASSEMBLY



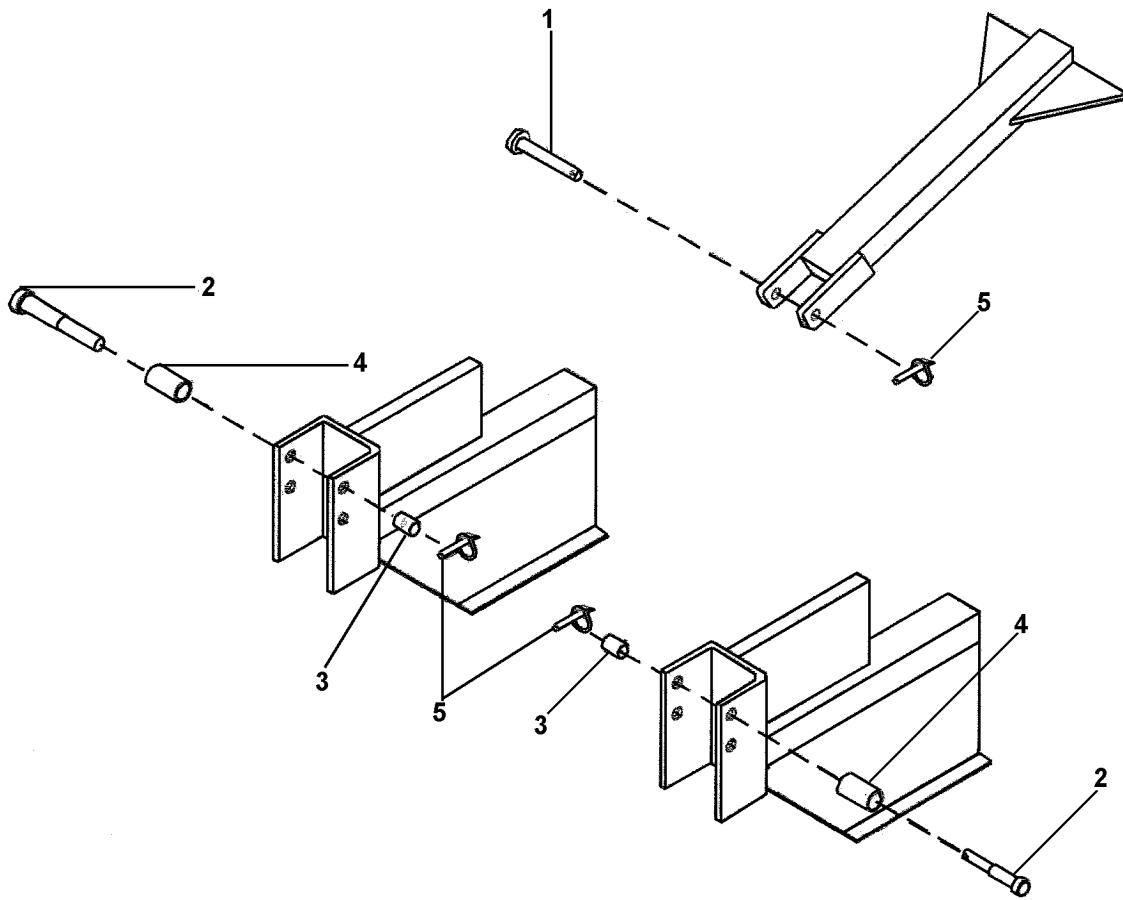
ITEM	PART NO.	QTY.	DESCRIPTION
1	FAS-748598	2	BOLT, 3/4 NC X 5-1/2 PL5
2	BRG-783477	4	SPACER
3	BRG-6D5557	2	SET COLLAR, 3/4"
4	SPK-1436356	4	IDLER SPROCKET
6	FAS-000200	4	NUT 3/4 NC HEX PL

3-POINT HITCH ASSEMBLY



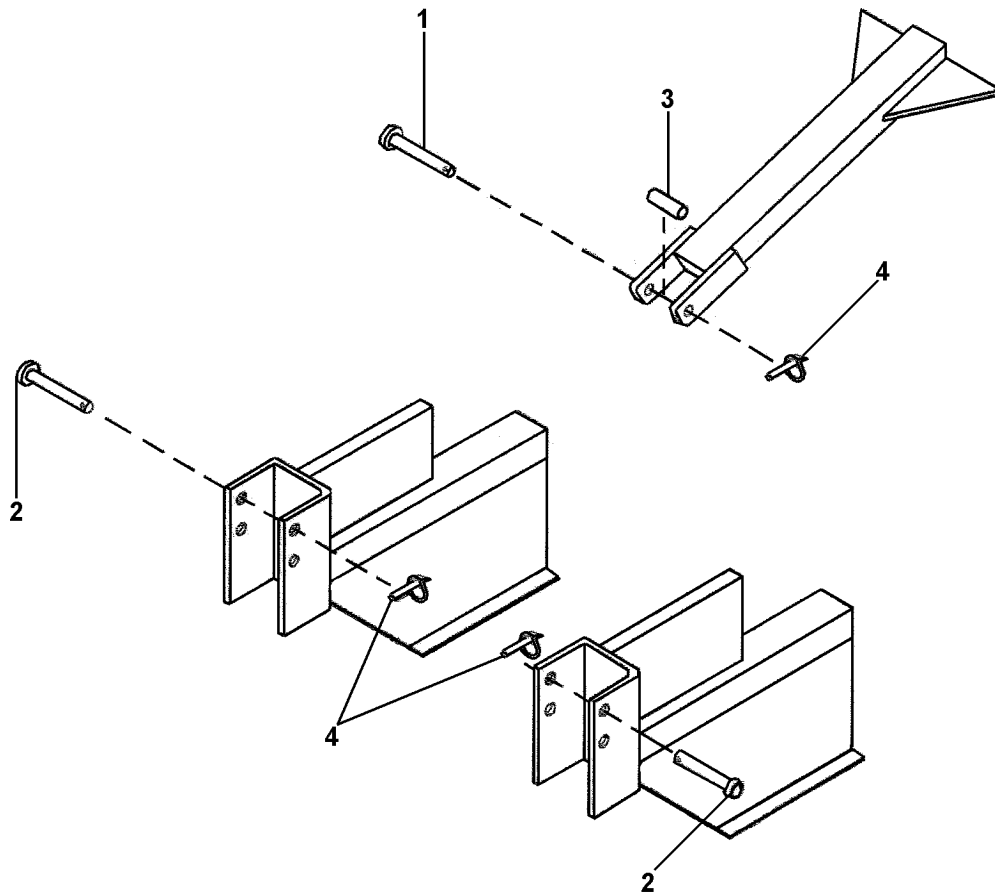
ITEM	PART NO.	QTY.	DESCRIPTION
1	PRT-784030	1	UPPER 3PT HITCH PIN
2	PRT-784031	2	LOWER CAT III HITCH PIN
3	PRT-784032	2	LOWER CAT II HITCH PIN
4	PRT-784033	1	BUSHING, UPPER HITCH PIN
5	PRT-784034	2	BUSHING, LOWER INNER HITCH PIN
6	PRT-784035	2	BUSHING, LOWER OUTER HITCH PIN
7	FAS-838404	5	CLICK PIN 7/16 X 2

STANDARD CATEGORY 2 & 3 WITHOUT QUICK HITCH ASSEMBLY



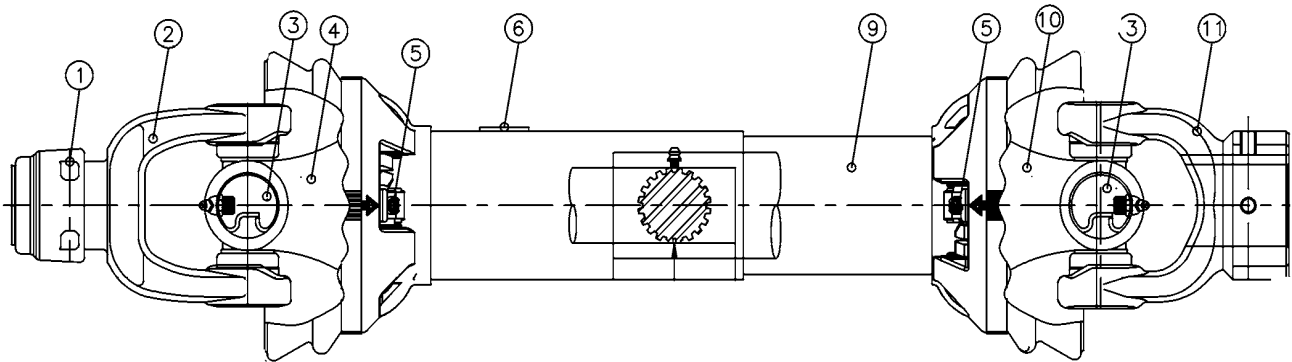
ITEM	PART NO.	QTY.	DESCRIPTION
1	PRT-784030	1	UPPER 3PT HITCH PIN
2	PRT-784032	2	LOWER CAT II HITCH PIN
3	PRT-784034	2	BUSHING, LOWER INNER HITCH PIN
4	PRT-784035	2	BUSHING, LOWER OUTER HITCH PIN
5	FAS-838404	3	KLICK PIN 7/16 X 2

CATEGORY 2 & 3 QUICK HITCH ASSEMBLY



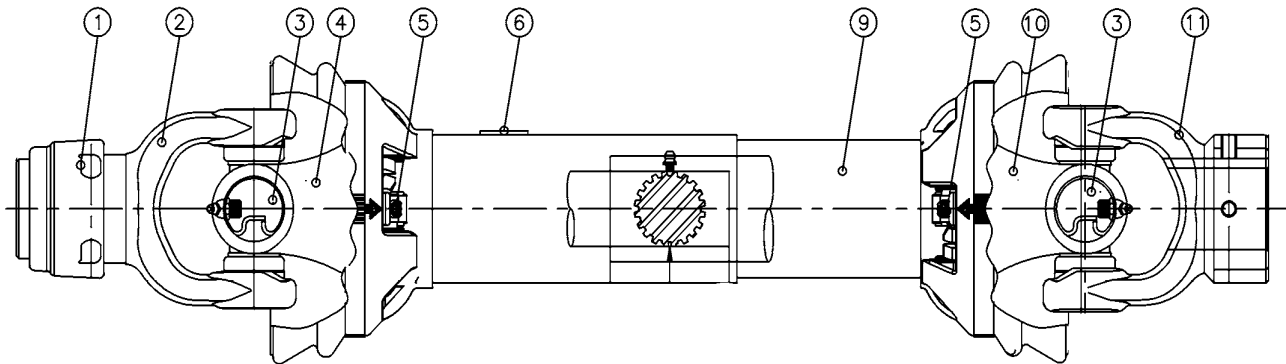
ITEM	PART NO.	QTY.	DESCRIPTION
1	PRT-784030	1	UPPER 3PT HITCH PIN
2	PRT-784031	2	LOWER CAT III HITCH PIN
3	PRT-784033	1	BUSHING, UPPER HITCH PIN
4	FAS-838404	3	KLICK PIN 7/16 X 2

DRIVELINE ASSEMBLY (OPTIONAL) - 00784015



ITEM	PART NO.	QTY.	DESCRIPTION
1	PTO-2716820	1	REPAIR KIT-SAFETY SLIDE LOCK Y
2	PTO-136416	1	SLIDE LOCK YOKE-1 3/8-21 SPL,5
3	PTO-W507	2	CTR CROSS KIT
4	PTO-784049	1	YOKE & SHAFT
5	PTO-780376	2	NYLON BEARING & KEEPER
6	PTO-756005	1	DECAL-ROTATING DRIVELINE
9	PTO-756004	1	DECAL-SHIELD MISSING
10	PTO-784050	1	YOKE, TUBE & SLIP SLEEVE
11	PTO-784051	1	YOKE
12	PTO-784046	1	SET, SHIELD GUARD
13	PTO-784047	1	ASY, JOINT & TUBE 1/2 W/ GUARD (NOT SHOWN)
14	PTO-784048	1	ASY, JOINT & SHAFT 1/2 W/ GUARD (NOT SHOWN)

DRIVELINE ASSEMBLY (OPTIONAL) - 00784016



ITEM	PART NO.	QTY.	DESCRIPTION
1	PTO-724738	1	KIT-SLIDE COLLAR REPAIR
2	PTO-725126	1	YOKE SLIDE LOCK 1-3/4-20 SPL.
3	PTO-W507	2	CTR CROSS KIT
4	PTO-784049	1	YOKE & SHAFT
5	PTO-780376	2	NYLON BEARING & KEEPER
6	PTO-756005	1	DECAL-ROTATING DRIVELINE
9	PTO-756004	1	DECAL-SHIELD MISSING (NOT SHOWN)
10	PTO-784050	1	YOKE, TUBE & SLIP SLEEVE
11	PTO-784051	1	YOKE
12	PTO-784046	1	SET, SHIELD GUARD (NOT SHOWN)
13	PTO-784047	1	ASY, JOINT & TUBE 1/2 W/ GUARD (NOT SHOWN)
14	PTO-784052	1	ASY, JOINT & SHAFT 1/2 W/ GUARD (NOT SHOWN)

