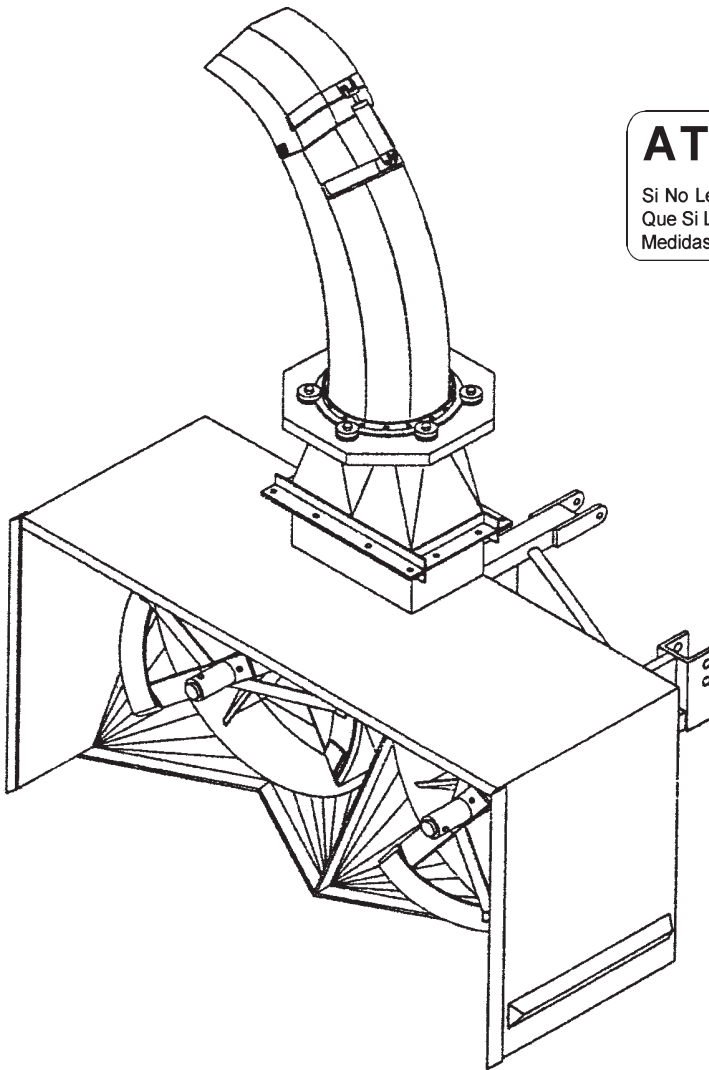


SNOWBLAST 8600-AR

Snow Blower

05-08

PART'S MANUAL



ATENCIÓN!

LEA EL INSTRUCTIVO

Si No Lee Ingles, Pida Ayuda a Alguien
Que Si Lo Lea Para Que le Traduzca las
Medidas de Seguridad.



TEAMCO INC.

27050 S. Katie Rd.

Suite 400

Tea, SD 57064

605-498-0610

www.teamco-inc.com

Email: chrism@teamco-inc.com

TO THE OWNER/OPERATOR/DEALER

All implements with moving parts are potentially hazardous. There is no substitute for a cautious, safe-minded operator who recognizes the potential hazards and follows reasonable safety practices. The manufacturer has designed this implement to be used with all its safety equipment properly attached to minimize the chance of accidents.

BEFORE YOU START!! Read the safety messages on the implement and shown in your manual.
Observe the rules of safety and common sense!

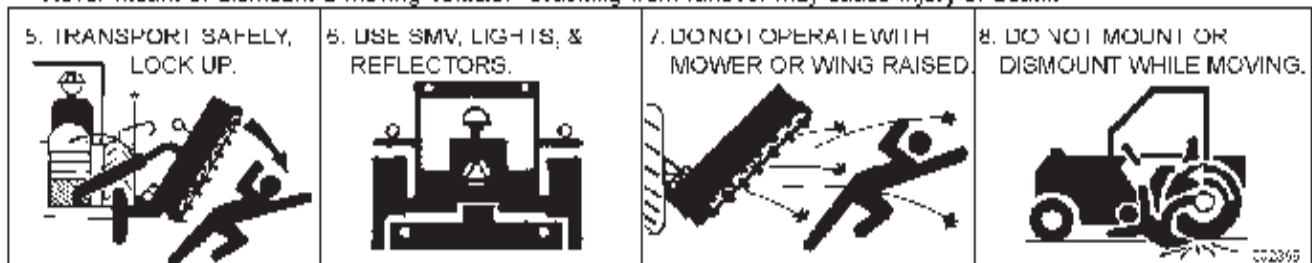


DANGER

FAILING TO FOLLOW SAFETY MESSAGES AND OPERATING INSTRUCTIONS CAN CAUSE SERIOUS BODILY INJURY OR EVEN DEATH TO OPERATOR AND OTHERS IN THE AREA.



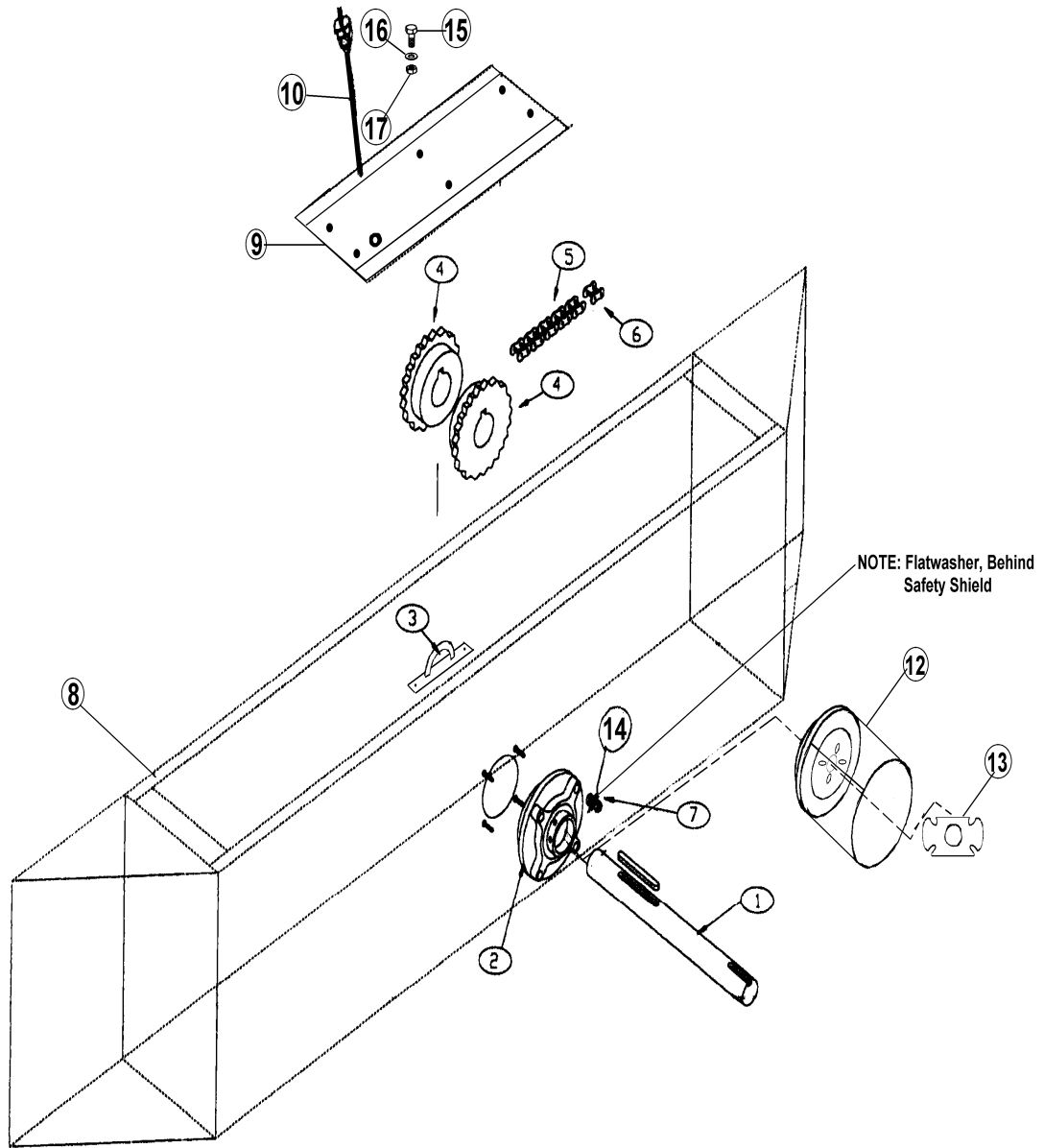
- Study and understand Operator's Manuals, Safety Signs, and Instructional Decals for tractor & flail mower to prevent misuse, abuse, & accidents. Practice before operating mower in a confined area or near passersby.
 - Learn how to stop engine suddenly in an emergency. Be alert for passersby and especially children.
- Allow no children on or near implement or tractor. Allow no riders on tractor or implement. Falling off can cause serious injury or death from being runover by tractor or mower or contact with Flail Mower Blades.
- Operate only with tractor having Roll-Over Protective Structure (ROPS) and with seatbelt fastened securely and snugly to prevent injury and possible death from falling off or tractor overturn. Personal Protective Equipment such as Hard Hat, Safety Glasses, Safety Shoes, and Ear Plugs are recommended.
- Block up or support raised machine and all lifted components securely before putting hands or feet under or working underneath any lifted component to prevent crushing injury or death from sudden dropping or inadvertent operation of controls. Make certain that area is clear before lowering or folding.
- Before transporting, put Lift Lever in detent or full-lift position. Install Transport Safety Devices securely on folding implements. Slow down when turning and on hillsides.
 - Install Restrictor in folding circuit to slow down lowering and unfolding if action is faster than is desirable.
- Make certain that SMV sign, Warning Lights, and Reflectors are clearly visible. Follow local traffic codes.
- Never operate with Flail Mower or Folding Section raised if passersby, bystanders or traffic are in the area to reduce possibility of injury or death from objects thrown by Blades under Shields or implement structure.
- Before dismounting, secure flail mower in transport position or lower to ground.
 - Put tractor in park or set brake, disengage PTO, stop engine, remove key, and wait until noise of rotation has ceased to prevent entanglement in rotating parts which may cause injury or death.
 - Never mount or dismount a moving vehicle. Crushing from runover may cause injury or death.



PART NAME INDEX

CATEGORY 2 & 3 QUICK HITCH ASSEMBLY	15
CATEGORY 2 QUICK HITCH ASSEMBLY.....	14
CHAIN IDLER DETAIL ASSEMBLY	8
CHAIN TIGHTENER DETAIL ASSEMBLY.....	9
DRIVELINE ASSEMBLY (OPTIONAL) - 00784015	10
DRIVELINE ASSEMBLY (OPTIONAL) - 00784016	11
FAN DRIVE ASSEMBLY	6
HYDRUALIC CYLINDER (00783837)	12
INPUT SHAFT DETAIL ASSEMBLY Rev 03-05	4
SPOUT ASSEMBLY (OPTIONAL) Rev 07-05.....	18
STANDARD CATEGORY 2 & 3 WITHOUT QUICK HITCH ASSEMBLY	16
STANDARD CATEGORY 3 HITCH WITHOUT QUICK HITCH ASSEMBLY.....	17
3-POINT HITCH ASSEMBLY	13

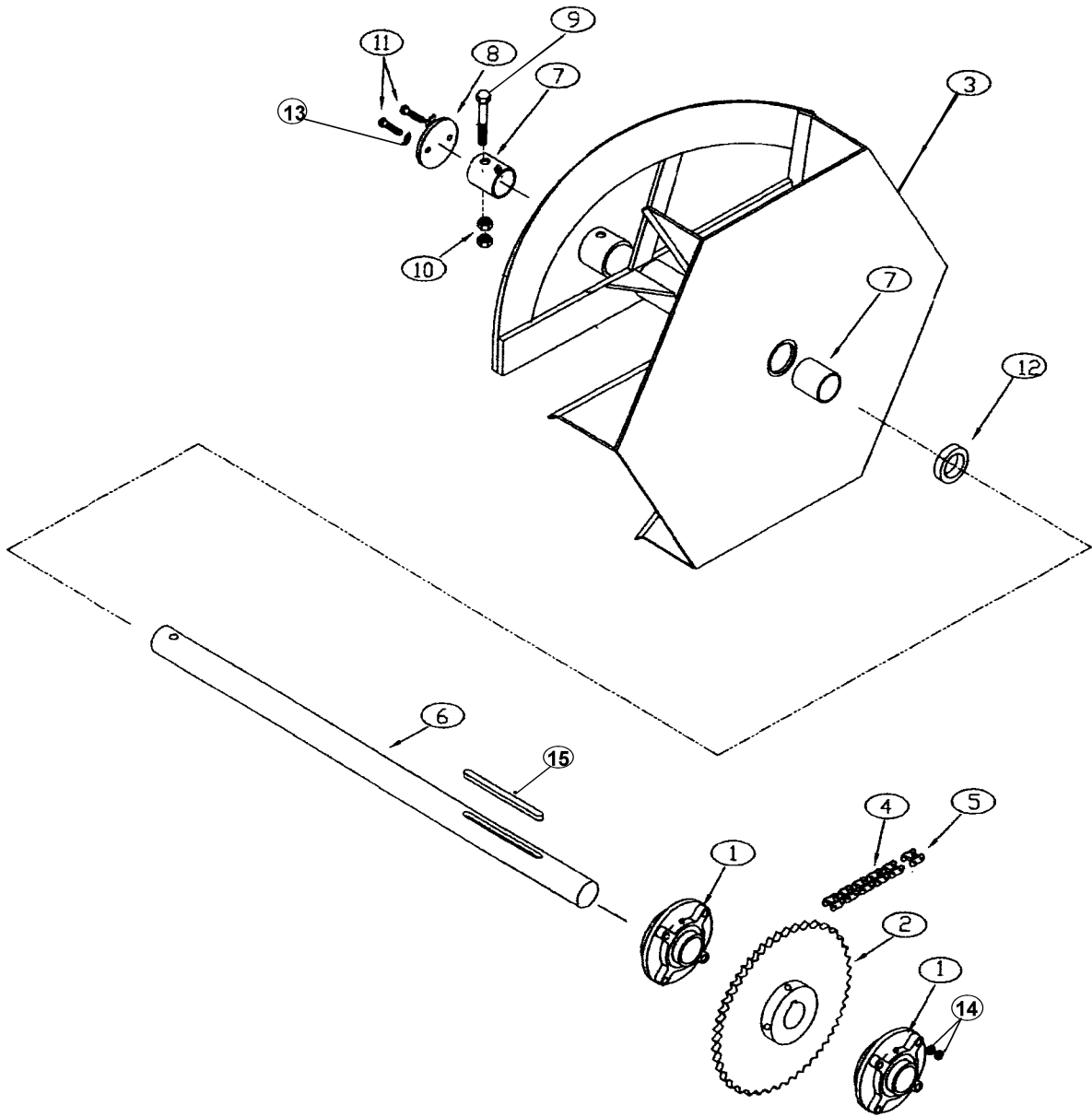
INPUT SHAFT DETAIL ASSEMBLY Rev 03-05



INPUT SHAFT DETAIL ASSEMBLY Rev 03-05

ITEM	PART NO.	QTY.	DESCRIPTION
1	PRT-783061	1	INPUT SHAFT
2	BRG-783596	1	1-15/16" FLANGE BEARING
3	BRG-783598	1	1-15/16" PILLOW BLOCK BEARING
4	SPK-783721	2	1-15/16" BORE SPROCKET X 16 TOOTH
5	CHN-784660	2	80 ROLLER CHAIN # 80 X 135P
6	CHN-7D5118	2	80 CONNECTOR LINK, #80
7	FAS-001200	8	NUT,HEX 1/2 NC PL
8	MSC-783692	14'	SEALER, FOAM 3/8 X 1 1/4
9	PRT-784104	1	CHAIN CASE COVER
10	PRT-783551	1	DIPSTICK
12	PTO-784566	1	SHIELD, SAFETY DRIVE
13	PRT-784565	1	PLATE, REINFORCEMENT
14	FAS-002700	4	FLATWASHER 1/2
15	FAS-011400	6	HHCS 3/8 NC 1 PL5
16	FAS-3101646	6	LOCKWASHER,3/8
17	FAS-011100	6	FLATWASHER, 3/8
18	FAS-750952	2	BOLT,5/8NC X 2-1/2 PL5 (Not Shown Pillow Block Bearing Bolt)
19	FAS-001400	2	FLATWASHER, 5/8
20	FAS-33007C	4	HEX NUT, 5/8 NC

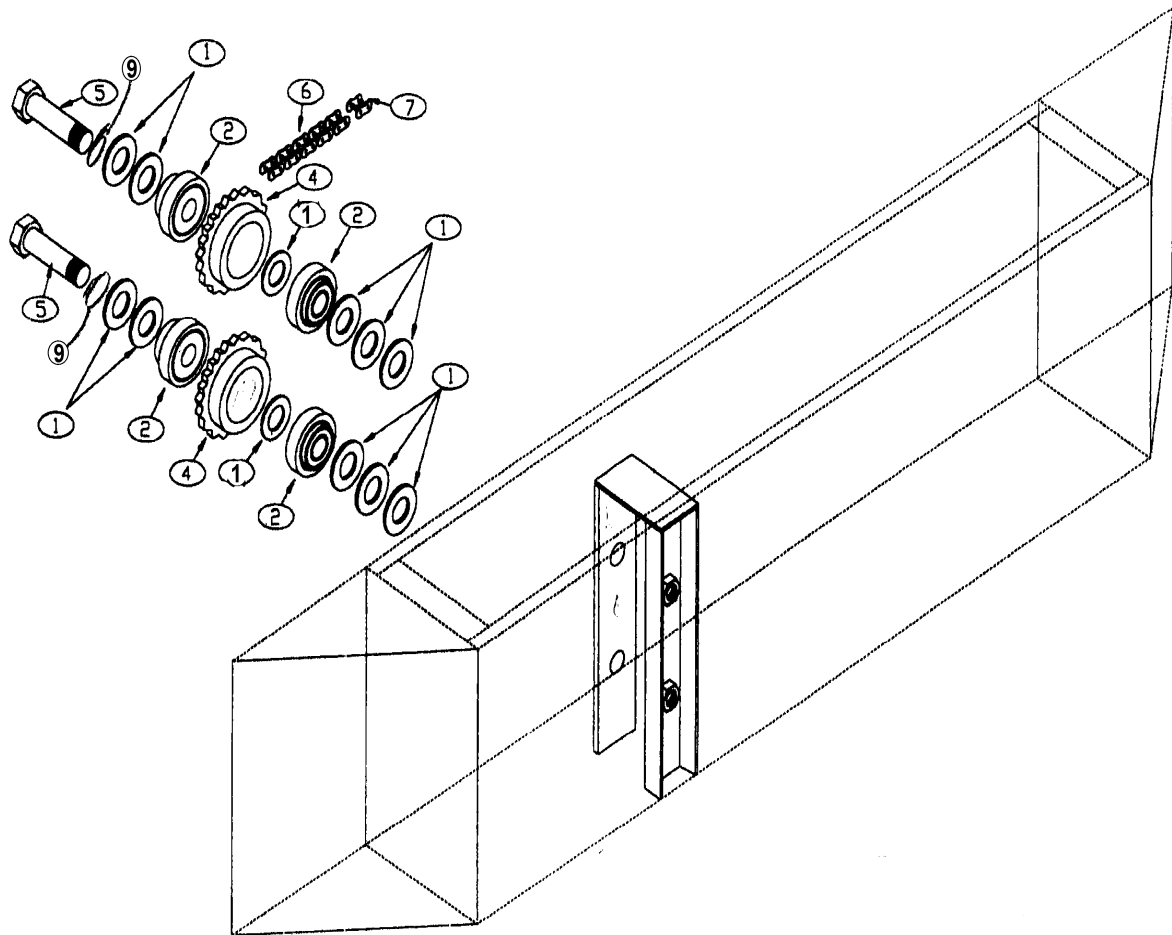
FAN DRIVE ASSEMBLY



FAN DRIVE ASSEMBLY

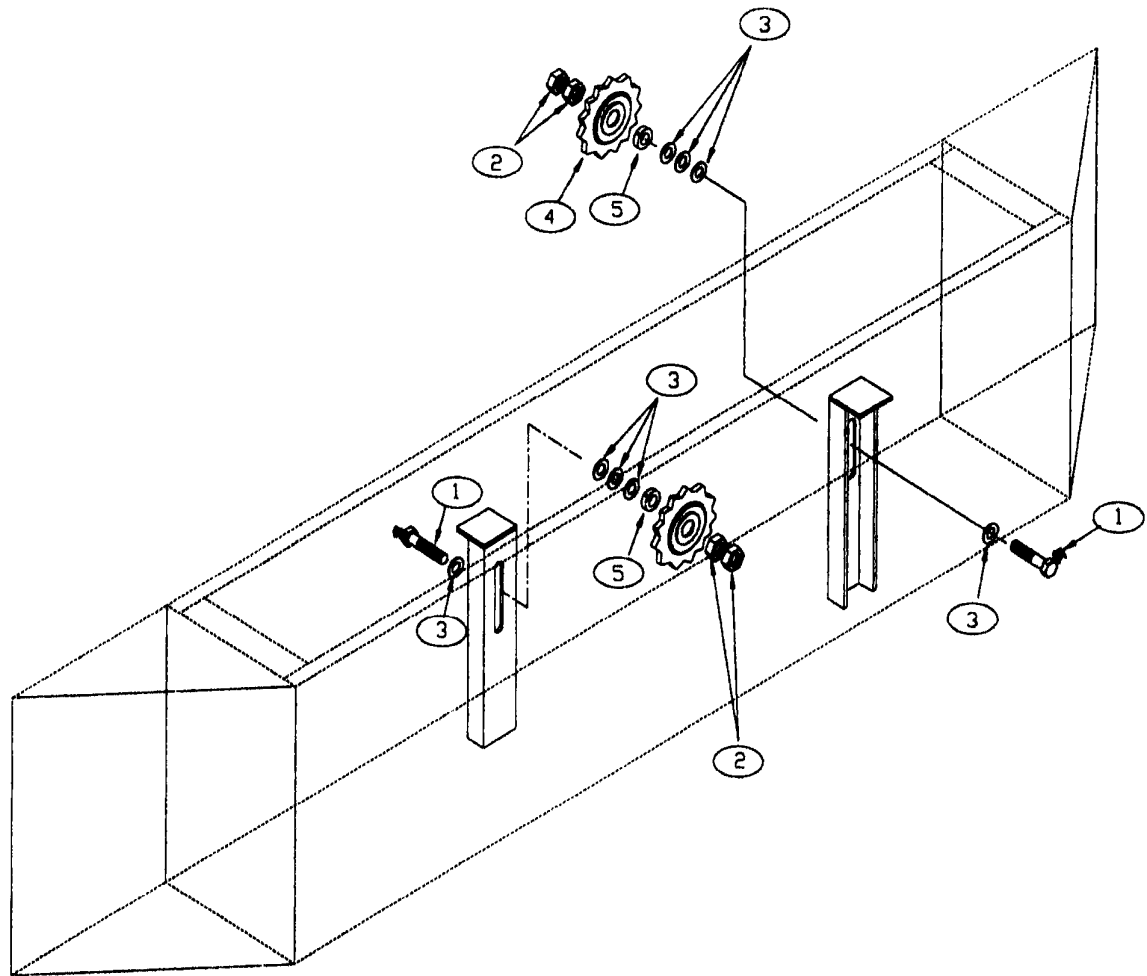
ITEM	PART NO.	QTY.	DESCRIPTION
1	BRG-783595	4	FLANGE BEARING, 2 1/4"
2	SPK-783723	2	SPROCKET, 54 TOOTH
3	PRT-784144	2	FAN CW
	PRT-784145	2	FAN CCW
4	CHN-784618	1	ROLLER CHAIN, # 80 X 85 PITCHES
5	CHN-7D5118	1	CONNECTOR LINK, # 80
6	PRT-783062	2	FAN SHAFT
7	BRG-784247	4	BRASS BUSHING, 2-1/4 " ID
8	PRT-783105	2	END CAP
9	PRT-783578	2	SHEAR BOLT, 3/4 X 6
10	FAS-000200	4	NUT 3/4" NC
11	FAS-035900	4	BOLT 5/16"-NC X 3/4" PL5
12	FAS-783693	2	UHMW FAN SPACER
13	FAS-011700	4	LOCKWASHER 5/16 PL
14	FAS-001200	16	NUT,HEX 1/2 NC PL
15	FAS-725073	2	SQ KEY, 1/2 X 2-1/2

CHAIN IDLER DETAIL ASSEMBLY



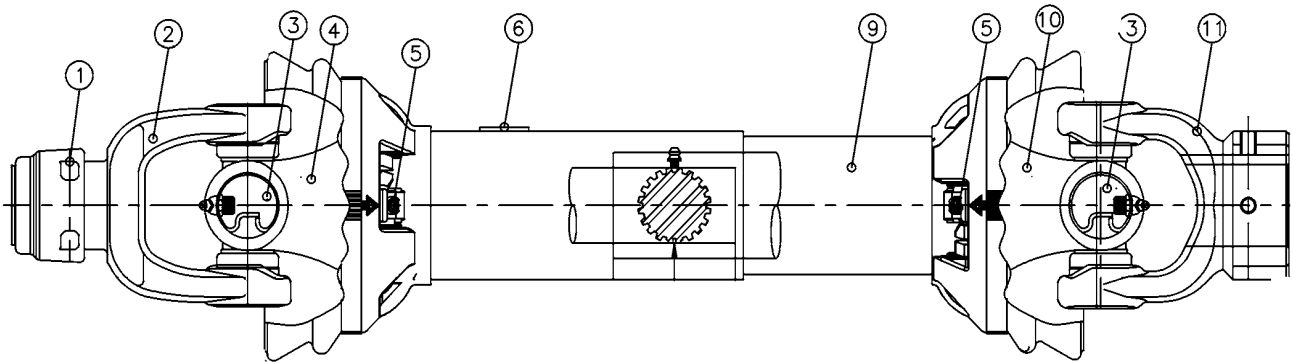
ITEM	PART NO.	QTY.	DESCRIPTION
1	FAS-44873	12	BUSHING MACHINERY
2	BRG-783588	4	BEARING,INSERT FLAT - 1-1/2
4	SPK-783311	2	SPROCKET, 18 TOOTH
5	FAS-783312	2	BOLT, SPROCKET
6	CHN-784660	2	ROLLER CHAIN, # 80 X 135P
7	CHN-7D5118	2	80 CONNECTOR LINK
9	FAS-350027C	2	LOCKWASHER 1 1/2

CHAIN TIGHTENER DETAIL ASSEMBLY



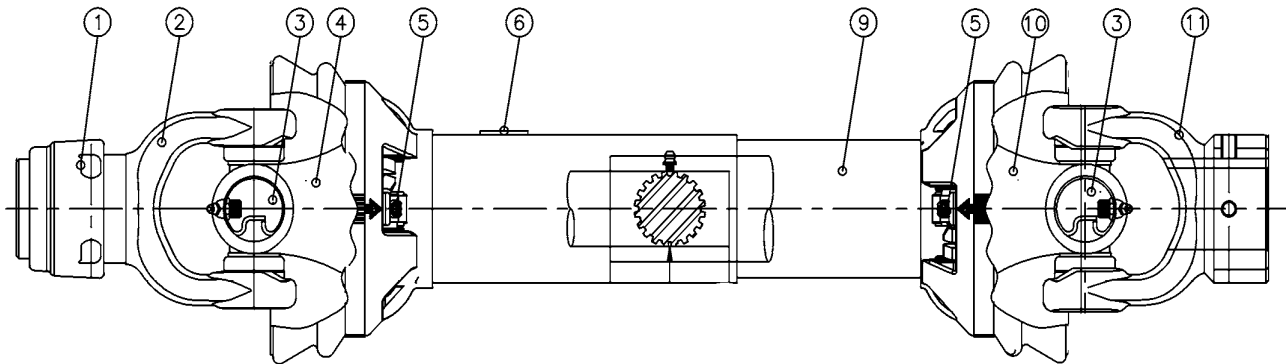
ITEM	PART NO.	QTY.	DESCRIPTION
1	PRT-784038	2	CHAIN IDLER BOLT
2	FAS-000200	4	HEX NUT 3/4 NC
3	FAS-002701	8	FLATWASHER,3/4
4	SPK-1436356	2	IDLER SPROCKET
5	BRG-6D5557	2	LOCK COLLAR 3/4 BORE

DRIVELINE ASSEMBLY (OPTIONAL) - 00784015



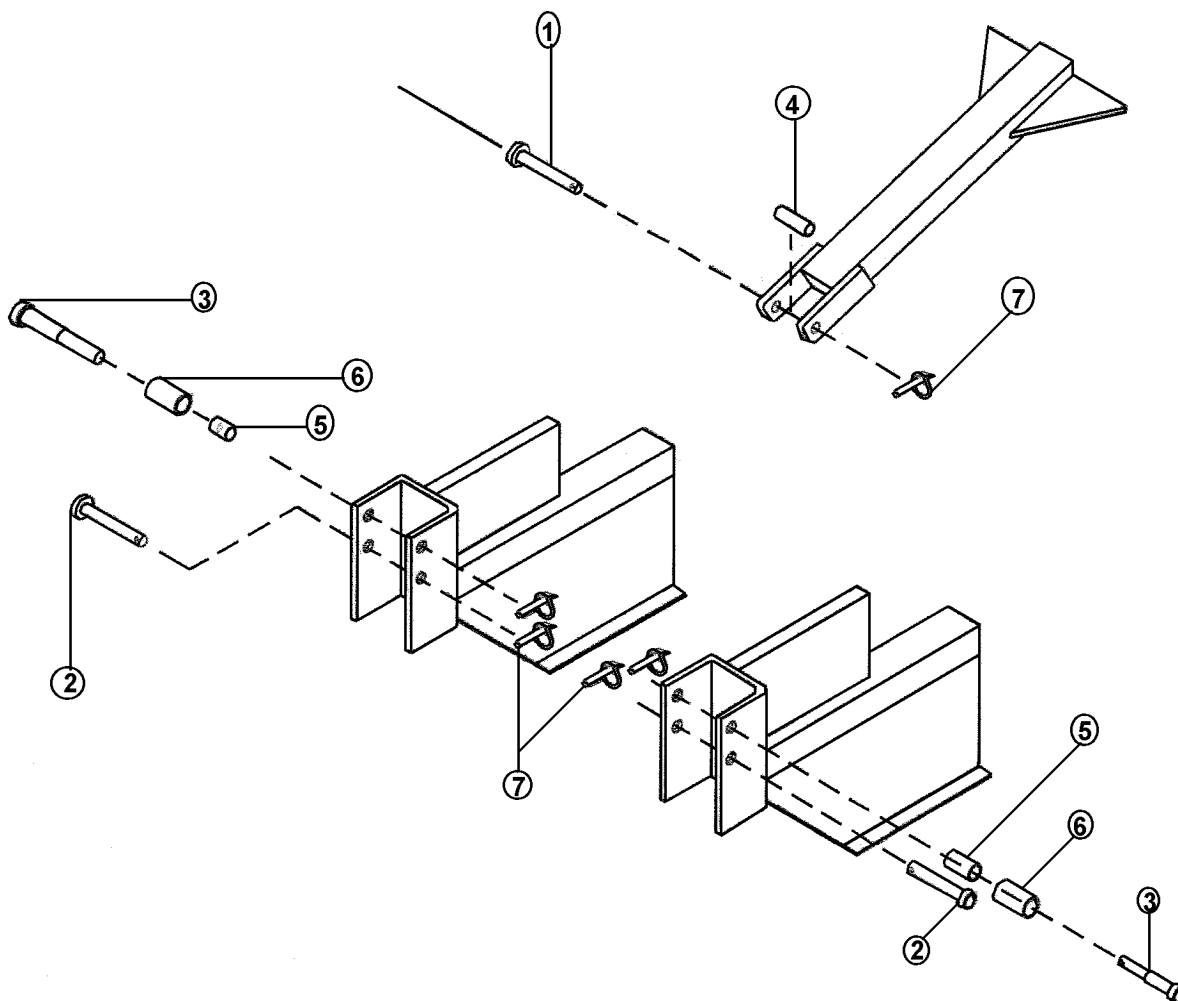
ITEM	PART NO.	QTY.	DESCRIPTION
1	PTO-2716820	1	REPAIR KIT-SAFETY SLIDE LOCK Y
2	PTO-136416	1	SLIDE LOCK YOKE-1 3/8-21 SPL,5
3	PTO-W507	2	CTR CROSS KIT
4	PTO-784049	1	YOKE & SHAFT
5	PTO-780376	2	NYLON BEARING & KEEPER
6	PTO-756005	1	DECAL-ROTATING DRIVELINE
9	PTO-756004	1	DECAL-SHIELD MISSING
10	PTO-784050	1	YOKE, TUBE & SLIP SLEEVE
11	PTO-784051	1	YOKE
12	PTO-784046	1	SET, SHIELD GUARD
13	PTO-784047	1	ASY, JOINT & TUBE 1/2 W/ GUARD (NOT SHOWN)
14	PTO-784048	1	ASY, JOINT & SHAFT 1/2 W/ GUARD (NOT SHOWN)

DRIVELINE ASSEMBLY (OPTIONAL) - 00784016



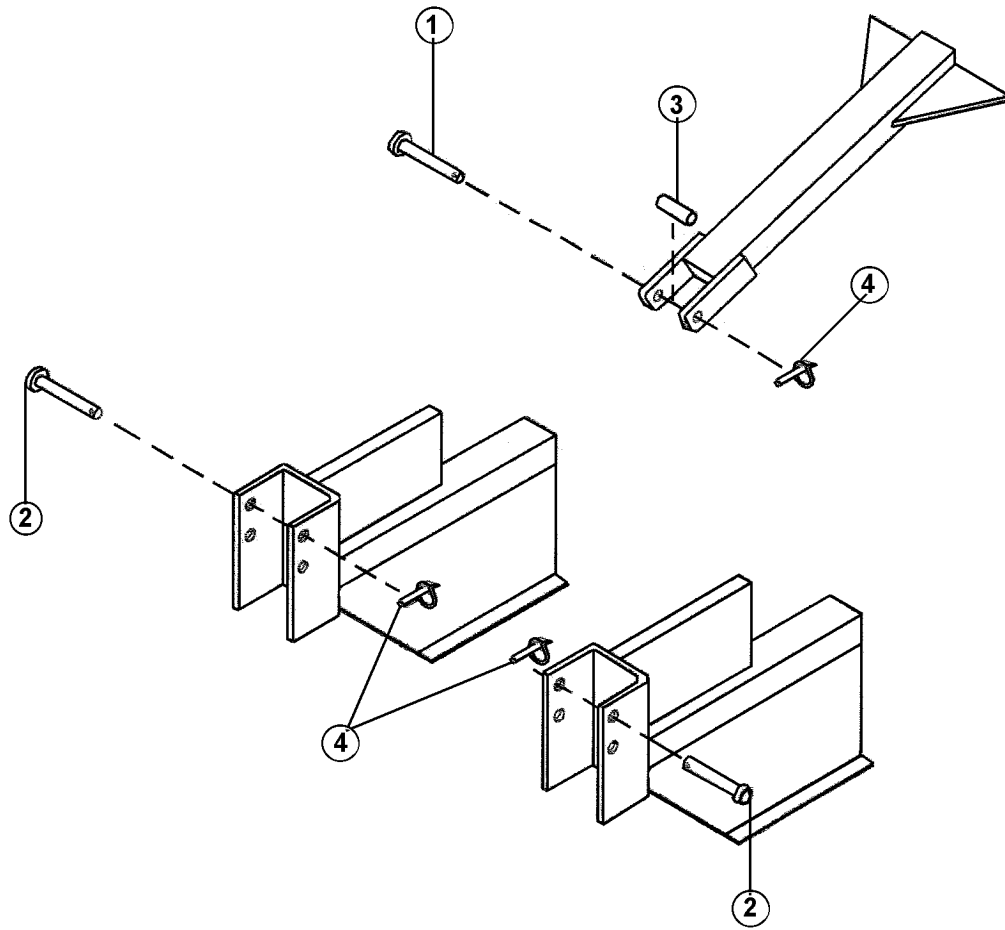
ITEM	PART NO.	QTY.	DESCRIPTION
1	PTO-724738	1	KIT-SLIDE COLLAR REPAIR
2	PTO-725126	1	YOKE SLIDE LOCK 1-3/4-20 SPL.
3	PTO-W507	2	CTR CROSS KIT
4	PTO-784049	1	YOKE & SHAFT
5	PTO-780376	2	NYLON BEARING & KEEPER
6	PTO-756005	1	DECAL-ROTATING DRIVELINE
9	PTO-756004	1	DECAL-SHIELD MISSING (NOT SHOWN)
10	PTO-784050	1	YOKE, TUBE & SLIP SLEEVE
11	PTO-784051	1	YOKE
12	PTO-784046	1	SET, SHIELD GUARD (NOT SHOWN)
13	PTO-784047	1	ASY, JOINT & TUBE 1/2 W/ GUARD (NOT SHOWN)
14	PTO-784052	1	ASY, JOINT & SHAFT 1/2 W/ GUARD (NOT SHOWN)

3-POINT HITCH ASSEMBLY



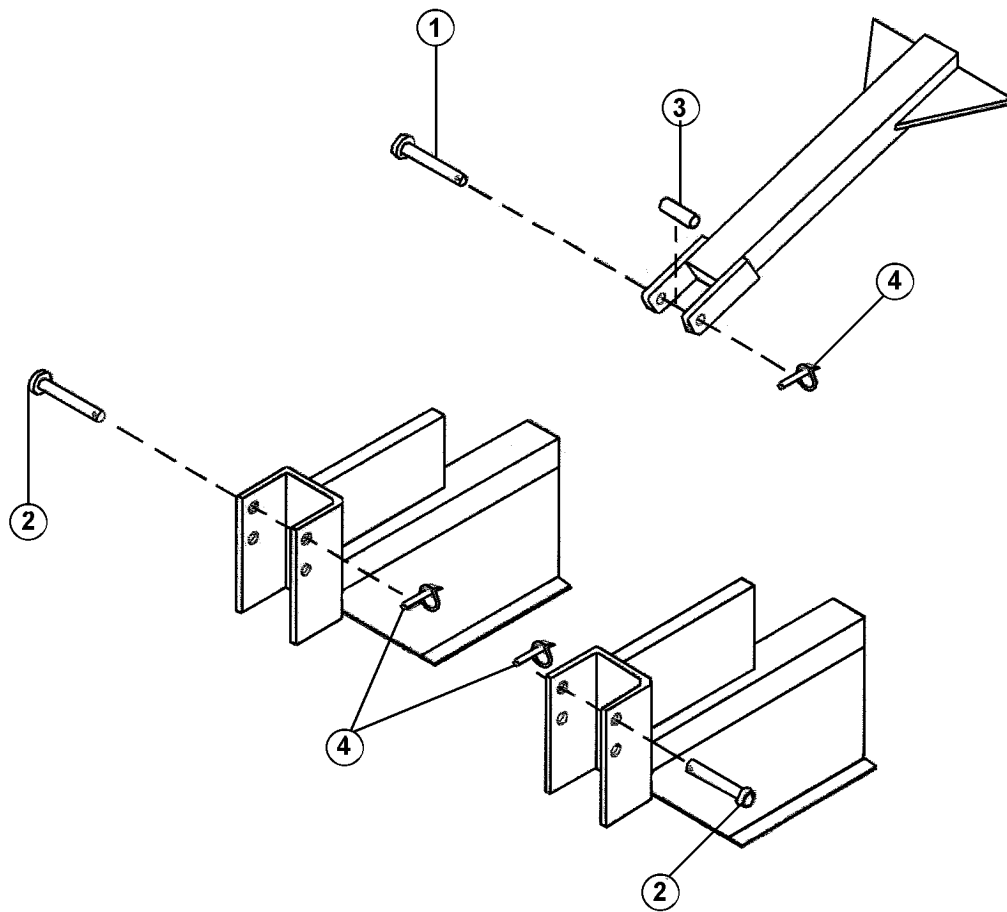
ITEM	PART NO.	QTY.	DESCRIPTION
1	PRT-784030	1	UPPER 3PT HITCH PIN
2	PRT-784031	2	LOWER CAT III HITCH PIN
3	PRT-784032	2	LOWER CAT II HITCH PIN
4	PRT-784033	1	BUSHING, UPPER HITCH PIN
5	PRT-784034	2	BUSHING, LOWER INNER HITCH PIN
6	PRT-784035	2	BUSHING, LOWER OUTER HITCH PIN
7	FAS-838404	5	CLICK PIN 7/16 X 2

CATEGORY 2 QUICK HITCH ASSEMBLY



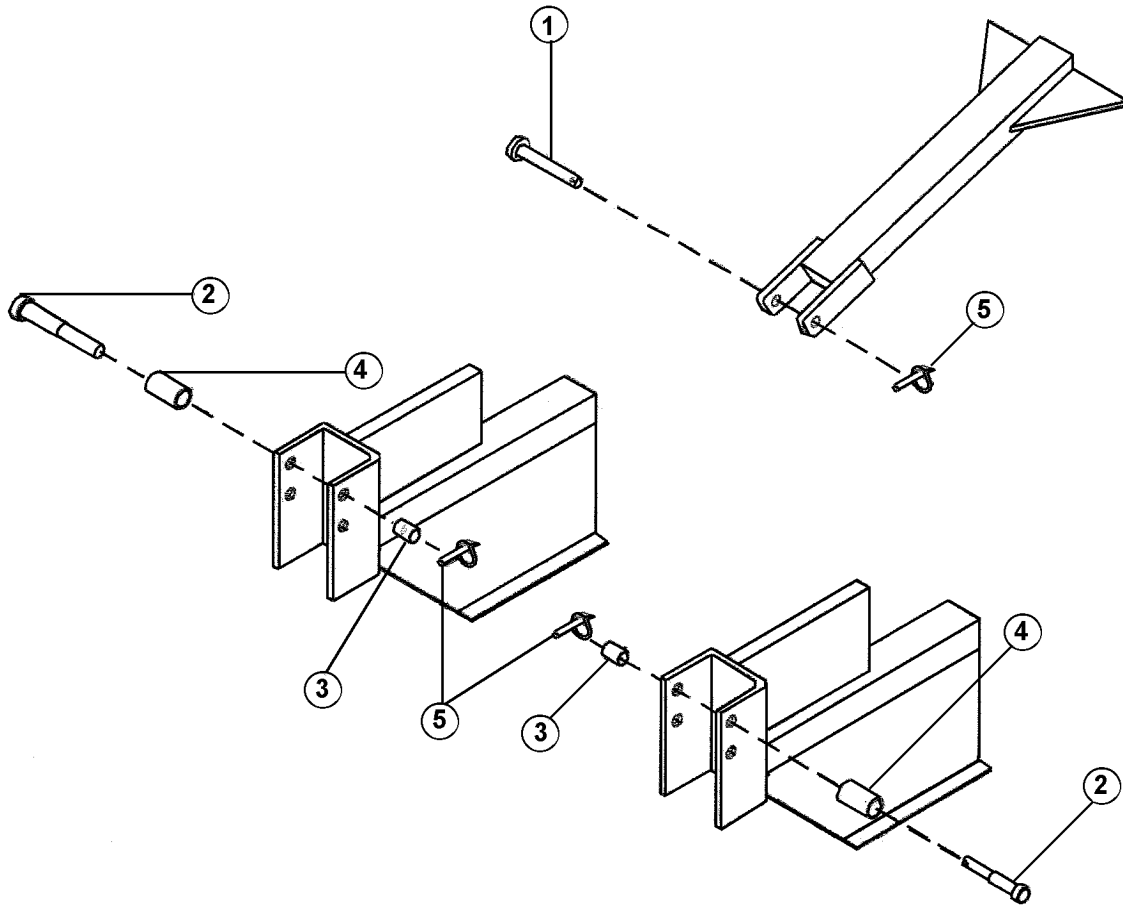
ITEM	PART NO.	QTY.	DESCRIPTION
1	PRT-784030	1	UPPER 3PT HITCH PIN
2	PRT-784031	2	LOWER CAT III HITCH PIN
3	PRT-784033	1	BUSHING, UPPER HITCH PIN
4	FAS-838404	3	CLICK PIN 7/16 X 2

CATEGORY 2 & 3 QUICK HITCH ASSEMBLY



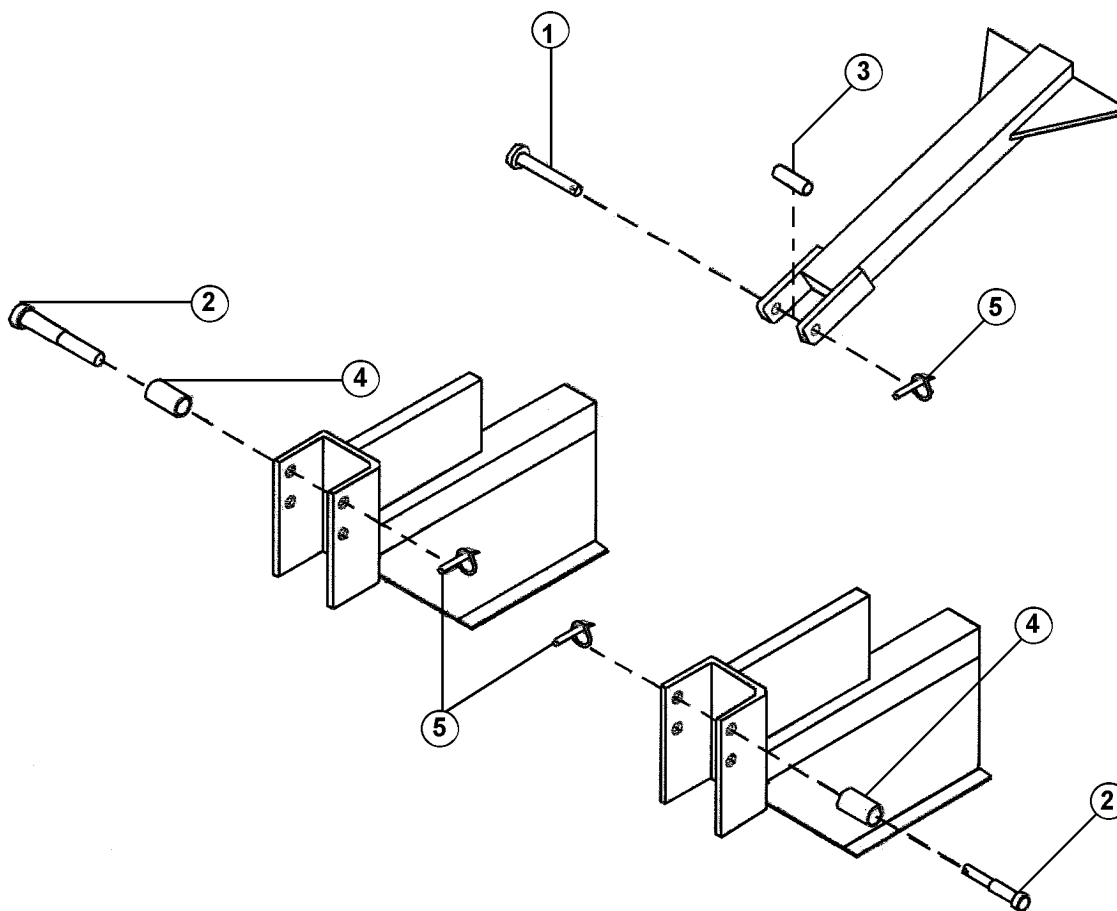
ITEM	PART NO.	QTY.	DESCRIPTION
1	PRT-784030	1	UPPER 3PT HITCH PIN
2	PRT-784031	2	LOWER CAT III HITCH PIN
3	PRT-784033	1	BUSHING, UPPER HITCH PIN
4	FAS-838404	3	KLICK PIN 7/16 X 2

STANDARD CATEGORY 2 & 3 WITHOUT QUICK HITCH ASSEMBLY



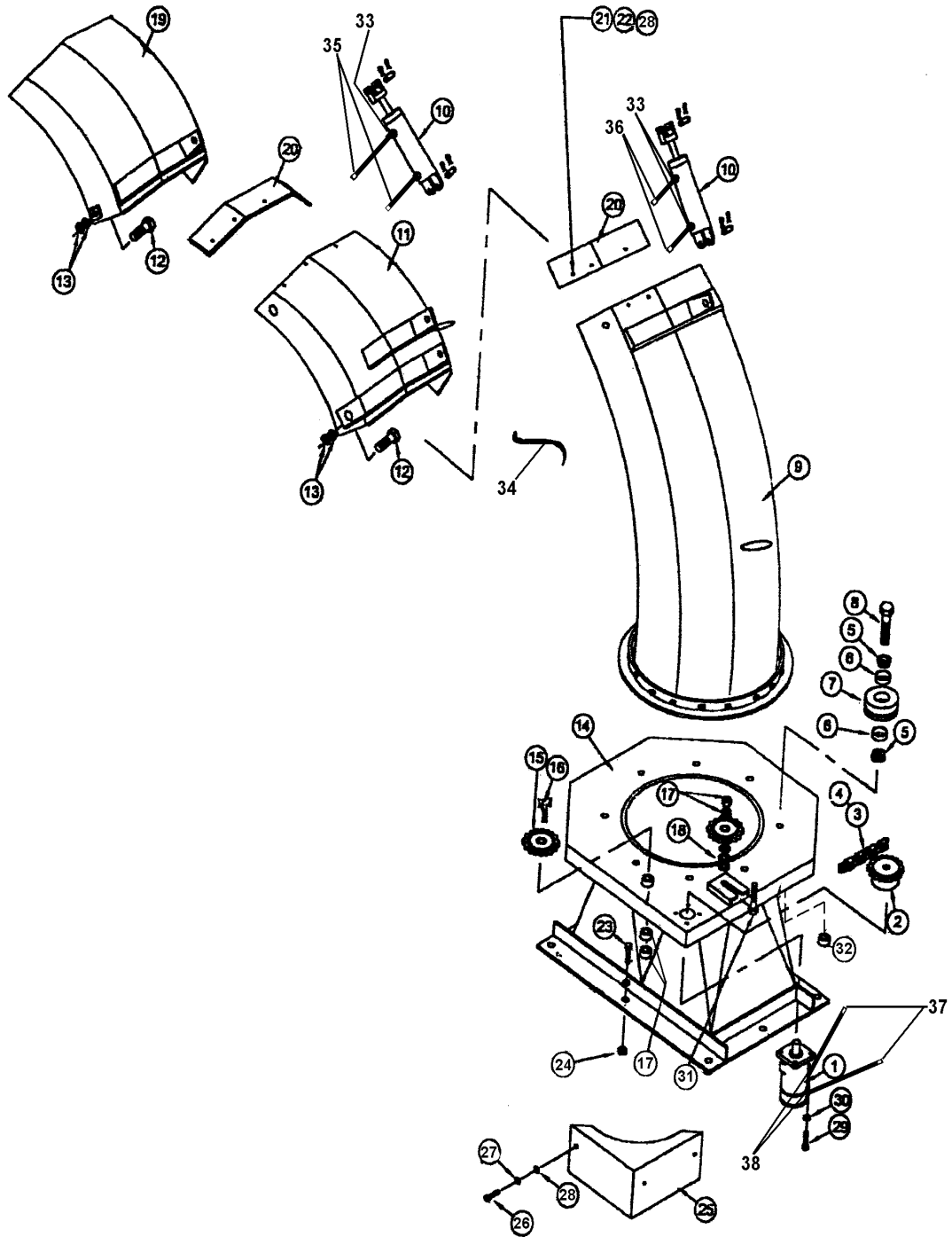
ITEM	PART NO.	QTY.	DESCRIPTION
1	PRT-784030	1	UPPER 3PT HITCH PIN
2	PRT-784032	2	LOWER CAT II HITCH PIN
3	PRT-784034	2	BUSHING, LOWER INNER HITCH PIN
4	PRT-784035	2	BUSHING, LOWER OUTER HITCH PIN
5	FAS-838404	3	KLICK PIN 7/16 X 2

STANDARD CATEGORY 3 HITCH WITHOUT QUICK HITCH ASSEMBLY



ITEM	PART NO.	QTY.	DESCRIPTION
1	PRT-784030	1	UPPER 3PT HITCH PIN
2	PRT-784031	2	CAT III HITCH PIN
3	PRT-784033	1	BUSHING, UPPER HITCH PIN
4	PRT-784035	2	BUSHING, LOWER OUTER HITCH PIN
5	PRT-838404	3	KLICK PIN 7/16 X 2

SPOUT ASSEMBLY (OPTIONAL) Rev 07-05



SPOUT ASSEMBLY (OPTIONAL) Rev 07-05

ITEM	PART NO.	QTY.	DESCRIPTION
1	HYD-783779	1	HYD MOTOR, 4 -BOLT MOUNT
2	SPK-784098	1	HUB & SPROCKET
3	CHN-783735	1	CHAIN, ROLLER 2060 X 60
4	CHN-783736	1	CONNECTOR LINK, 2060
5	BRG-783589	16	BEARING CONE
6	BRG-6W604	16	BEARING CUP
7	PRT-783155	8	HOLD DOWN
8	FAS-317010H5C	8	HEX CAP 3/4-10 X 3 1/2 GR.5
9	PRT-784091	1	SPOUT, PRIMARY
10	HYD-783837	2	CYLINDER , HYDRUALIC 2X6
11	PRT-784092	1	SECONDARY SPOUT
12	FAS-31795H5C	4	HEXB 1 NC X 2 -1/2 PL5
13	FAS-23511000	8	NUT JAM HEX 1 NC PL
14	PRT-784094	1	SPOUT BASE
15	SPK-783716	2	IDLER SPROCKET-15 TOOTH
16	FAS-316013H5C	1	HEX CAP 5/8-11 X 3 1/2 GR.5
17	FAS-33007C	4	HEX NUT 5/8-11
18	FAS-001400	4	FLATWASHER 5/8 PL
19	PRT-784093	1	SPOUT CAP
20	MSC-784099	2	FLASHING, SPOUT RUBBER
21	FAS-31064H5C	14	FLAT SCKHD CPSC 1/4-20 X 3/4 PL5
22	FAS-33111C	14	HEX JAM NUT 1/4-20
23	FAS-2845500	8	HEXB 5/8 NC 2 PL5
24	FAS-695100	8	NUT, TOPLOCK 5/8 NC PLB
25	PRT-784095	1	SHIELD, MOTOR
26	FAS-10058000	3	HHCS 1/4 NC 1 PL5
27	FAS-017000	3	LOCKWASHER 1/4 PL
28	FAS-024100	17	FLATWASHER STD 1/4 PL
29	FAS-011400	4	HHCS 3/8 NC 1 PL5
30	FAS-3101646	4	LOCKWASHER, 3/8
31	FAS-783290	1	LOCK BOLT
32	FAS-000200	8	NUT 3/4 NC
33	HYD-63149100	4	ADAPTER, HYD, ELBOW 6MB-6MJ 90 DG
34	MSC-138629	2	TY RAP, 13 LONG
35	HYD-784100	2	HYDRUALIC HOSE, 1/4 X145
36	HYD-784101	2	HYDRUALIC HOSE, 1/4 X136
37	HYD-784102	2	HYDRUALIC HOSE, 3/8 X35
38	HYD-11103	2	STREET ELBOW 1/2 X 90 DG
39	HYD-2727100	6	MALE HYD. TIP, 1/2 NPTF (NOT SHOWN)

